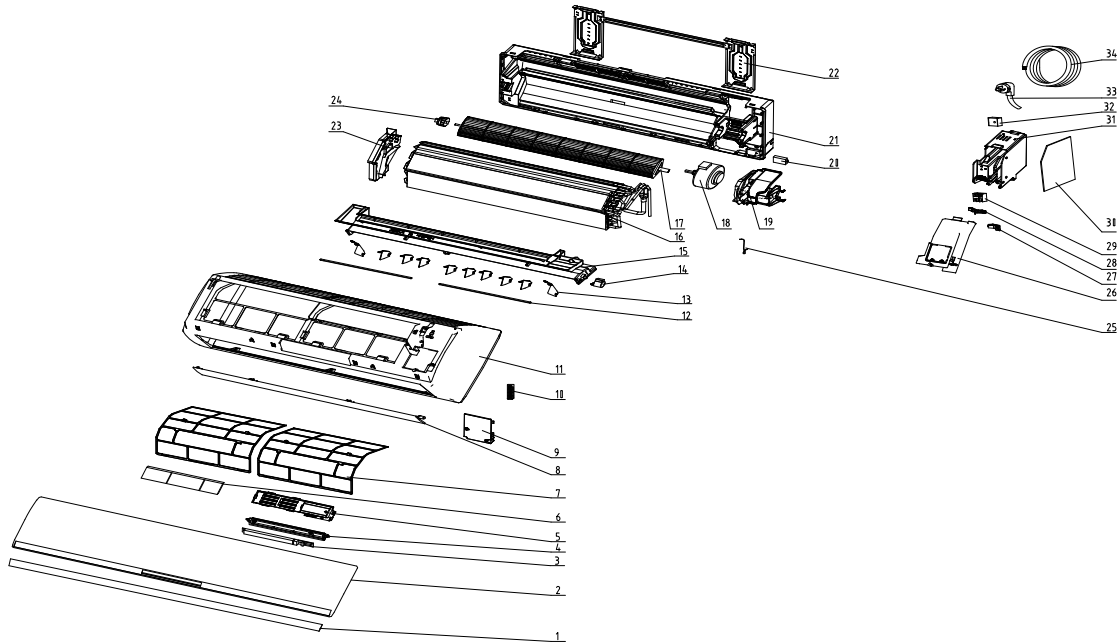


Exploded View - MGC1223E



No.	Part No.	Part Name	Qty	Remark
0	N/A	IDU		
1	N/A	Decorative strip		
2	N/A	Panel		
3	N/A	Display board		
4	N/A	Display board seating		
5	N/A	Plasma dust collector (optional)		
6	N/A	Anti-bacterial filter (optional)		
7	N/A	Filter subassembly		
8	N/A	Air louver (Horizontal)		
9	N/A	Medium frame wiring cover		
10	N/A	Evaporator tubing clamp		
11	N/A	Medium frame		
12	N/A	Air blade (Vertical) link		
13	N/A	Air blade (Vertical)		
13.1	N/A	Air blade (Vertical)		
14	N/A	Step motor		
15	N/A	Air-vent holder		
16	N/A	Evaporator assembly		
16.1	N/A	Inlet tube assembly		
16.2	N/A	Outlet tube assembly		
16.3	N/A	Connection board of right-side plate		
16.4	N/A	Thermal insulation pipe		
17	N/A	Cross flow fan		
18	N/A	IDU fan motor		
19	N/A	Motor cover		
20	N/A	Anion generator		
21	N/A	Chassis		



Exploded View - MGC1223E

No.	Part No.	Part Name	Qty	Remark
22	N/A	Mounting plate		
23	N/A	Evaporator left side carriage		
24	N/A	Rubber shaft bearing		
25	N/A	Sensor circlip		
26	N/A	Control box cover		
27	N/A	Wire clamp		
28	N/A	Cable clamp		
29	N/A	Terminal board		
30	N/A	PCB		
30.1	N/A	Compressor relay		
30.2	N/A	Capacitor		
30.3	N/A	Fuse		
30.4	N/A	Plug wire of display board		
30.5	N/A	Room temperature sensor		
30.6	N/A	IDU coil temperature sensor		
31	N/A	Control box		
32	N/A	Transformer		
33	N/A	Power cord		
34	N/A	Power cable		