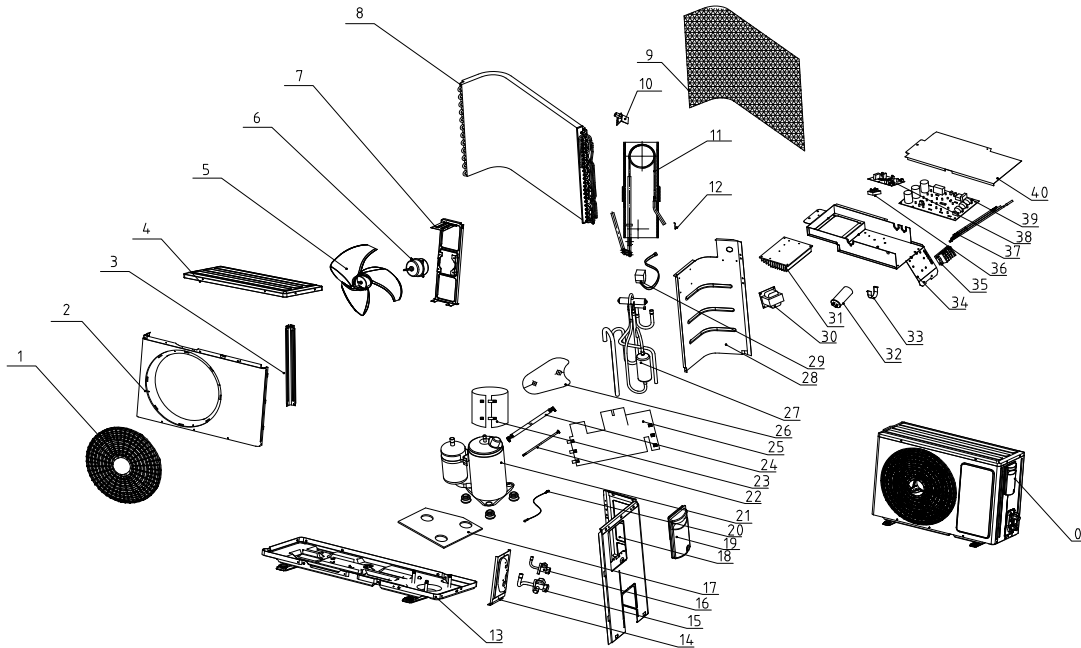


Exploded View - MGC1223C



| No. | Part No. | Part Name | Qty | Remark |
|-----|----------|------------------------------------|-----|--------|
| 0 | N/A | ODU | | |
| 1 | N/A | Plastic grille | | |
| 2 | N/A | Front panel | | |
| 3 | N/A | Left side support plate | | |
| 4 | N/A | Top cover | | |
| 5 | N/A | Axial flow fan | | |
| 6 | N/A | ODU fan motor | | |
| 7 | N/A | Motor support | | |
| 8 | N/A | Condenser assembly | | |
| 9 | N/A | Rear grille (plastic) | | |
| 10 | N/A | Sensor holder | | |
| 11 | N/A | Cooling capillary | | |
| 12 | N/A | Sensor circlip | | |
| 13 | N/A | Chassis assembly | | |
| 14 | N/A | Valve plate | | |
| 15 | N/A | Liquid valve | | |
| 16 | N/A | Gas valve | | |
| 17 | N/A | Compressor noise-absorption sponge | | |
| 18 | N/A | Right side panel | | |
| 19 | N/A | E-parts cover | | |
| 20 | N/A | Compressor earth wire | | |
| 21 | N/A | Compressor | | |
| 22 | N/A | OLP wire | | |
| 23 | N/A | Compressor noise-absorption sponge | | |
| 24 | N/A | Compressor wire | | |
| 25 | N/A | Compressor noise-absorption sponge | | |
| 26 | N/A | Compressor noise-absorption sponge | | |



Exploded View - MGC1223C

| No. | Part No. | Part Name | Qty | Remark |
|------|----------|------------------------------|-----|--------|
| 27 | N/A | 4-way valve tubing assembly | | |
| 28 | N/A | Partition board | | |
| 29 | N/A | 4-way valve coil | | |
| 30 | N/A | Reactor | | |
| 31 | N/A | Radiator | | |
| 32 | N/A | Capacitor | | |
| 33 | N/A | Capacitor clamp | | |
| 34 | N/A | E-parts bracket | | |
| 35 | N/A | Terminal board | | |
| 36 | N/A | Rectifier bridge | | |
| 37.1 | N/A | Discharge temperature sensor | | |
| 37.2 | N/A | OD coil temperature sensor | | |
| 37.3 | N/A | OD temperature sensor | | |
| 38 | N/A | Module board | | |
| 39 | N/A | Main control board | | |
| 39.1 | N/A | Fan motor capacitor | | |
| 39.2 | N/A | Electrolytic capacitor | | |
| 39.3 | N/A | Fuse | | |
| 39.4 | N/A | Fuse | | |
| 40 | N/A | E-parts cover | | |