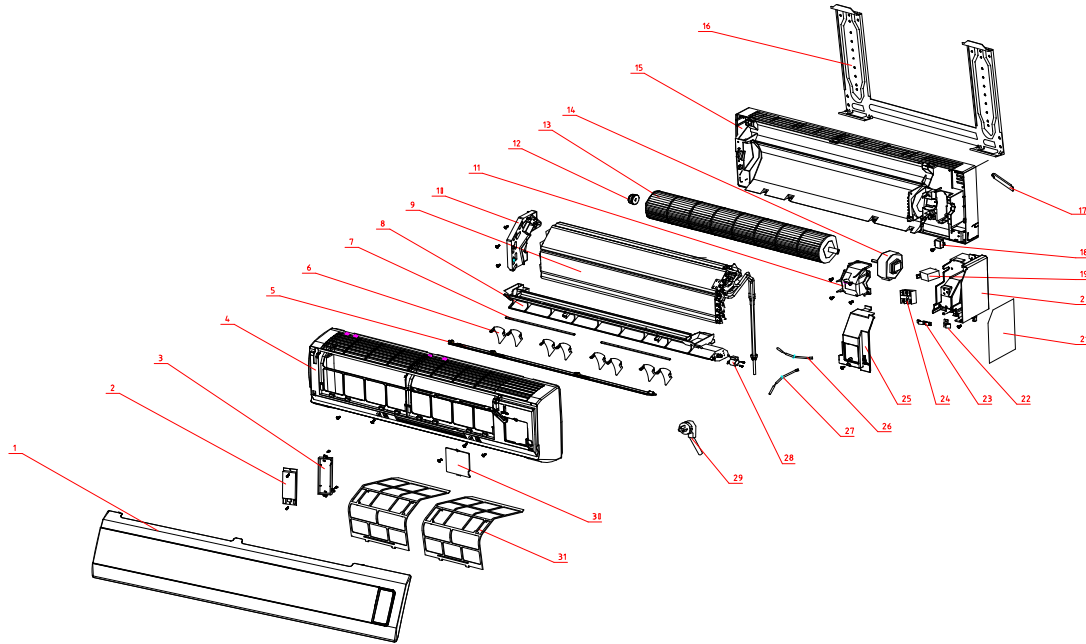


## Exploded View - MGC0923E



No.	Part No.	Part Name	Qty	Remark
1	N/A	Front panel		
2-3	N/A	Display board assembly		
4	N/A	Medium frame		
5	N/A	Horizontal airflow blade		
6	N/A	Vertical airflow vanes		
7	N/A	Connecting rod of vanes		
8	N/A	Air outlet frame assembly		
9	N/A	Evaporator assembly		
10	N/A	Left-hand propping holder for Evaporator		
11	N/A	Motor cover		
12	N/A	Bearing holder		
13	N/A	Cross-flow fan		
14	N/A	Indoor fan motor		
15	N/A	Chassis assembly		
16	N/A	Mount bracket		
17	N/A	Pipe clamp		
18	N/A	Anion Generator		
19	N/A	Transformer		
20	N/A	Controller box		
21	N/A	PCB board		
22	N/A	Power cable clip		
23	N/A	Power connection cable clip		
24	N/A	Terminal board		
25	N/A	Control box cover		
26	N/A	Env temp sensor		



## Exploded View - MGC0923E

No.	Part No.	Part Name	Qty	Remark
27	N/A	Evap Coil temp sensor		
28	N/A	Step motor		
29	N/A	Power cable		
30	N/A	Terminal board cover		
31	N/A	Filter assembly		