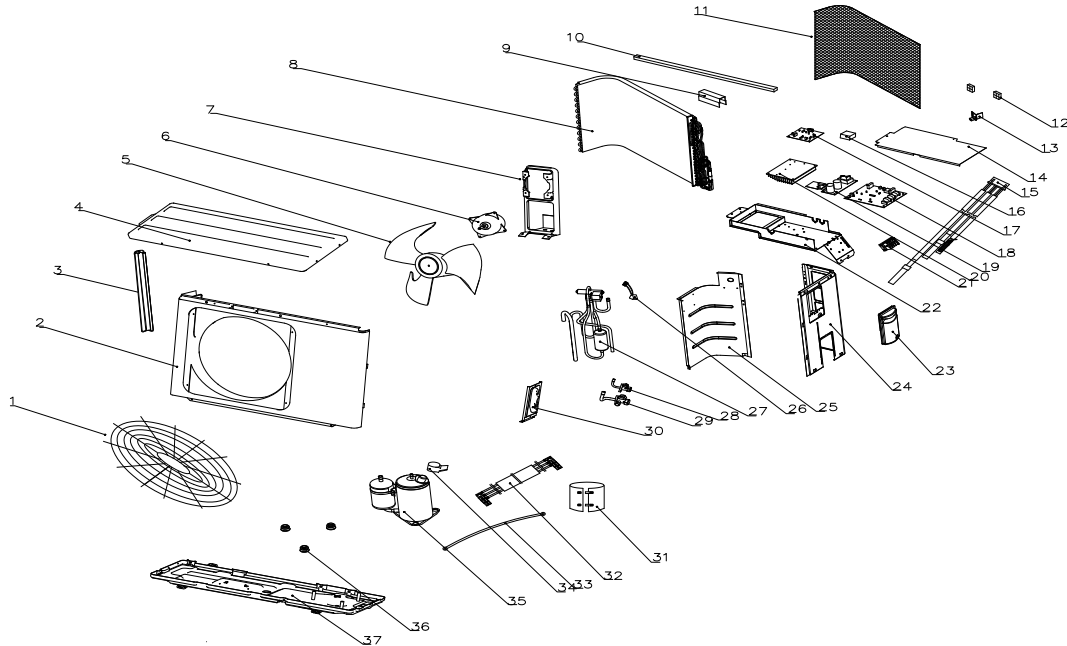


## Exploded View - MGC0923C



No.	Part No.	Part Name	Qty	Remark
1	N/A	Panel net		
2	N/A	Panel assembly		
3	N/A	Left –hand propping holder		
4	N/A	Top cover		
5	N/A	Axial-flow fan		
6	N/A	Fan motor		
7	N/A	Holder for electric motor		
8	N/A	Condenser assemble		
9	N/A	Condenser clamp		
10	N/A	Condenser sponge		
11	N/A	Back net		
12	N/A	Rubber block		
13	N/A	temp sensor bracket		
14	N/A	Cover for electric unit		
15	N/A	Temperature sensors of OD		
16	N/A	Commutation bridge		
17	N/A	IPM modular		
18	N/A	Main board		
19	N/A	PFC & reactance assembly		
20	N/A	Radiator		
21	N/A	Terminal board		
22	N/A	Holder for electric unit		
23	N/A	Handle		
24	N/A	Right side plate		
25	N/A	Partition panel		
26	N/A	Magnetic coil		
27	N/A	Four way valve assembly		



## Exploded View - MGC0923C

No.	Part No.	Part Name	Qty	Remark
30	N/A	Valve plate		
31	N/A	Anti-acoustic sponge of compressor		
32	N/A	Power connection cable		
33	N/A	Ground wire		
34	N/A	Electrical cap		
35	N/A	Compressor accessories		
36	N/A	Washer		
37	N/A	Chassis assembly		