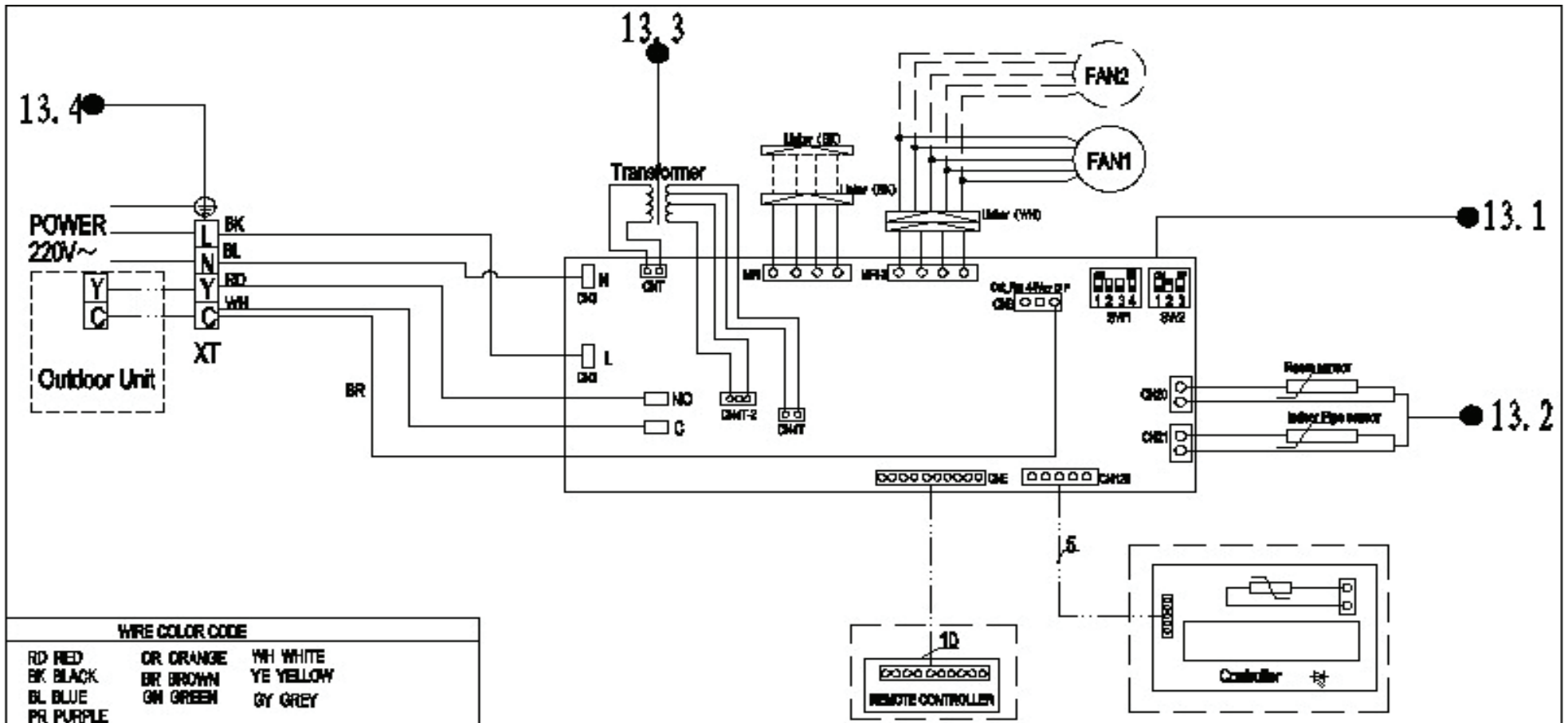


- 1 Air outlet assy
- 2 Hanger
- 3 Left clapboard
- 4 Left connecting panel for evaporator
- 5 Evaporator components
- 5.1 Transition tube
- 5.2 Current dividing assy
- 5.3 Collecting pipe assy
- 5.4 Evaporator assy
- 5.5 Installation tube for probe
- 6 Water pan assy
- 7 Lower panel
- 9 Left wind wheel scroll case
- 10 Motor for indoor unit
- 11 Right wind wheel scroll case
- 12 Fixing board assy for fan
- 13 Eletronic control components
- 13.1 Eletronic control board for indoor unit
- 13.2 Temp sensor
- 13.3 PTC transformer
- 13.4 Terminal
- 13.5 E- parts box chassis
- 14 E- parts cover
- 15 Small cover
- 16 Big cover
- 17 Right clapboard
- 18 Right connecting panel for evaporator
- 19 Upper panel
- 20 Wire Controller



| WIRE COLOR CODE | | |
|-----------------|-----------|-----------|
| RD RED | OR ORANGE | WH WHITE |
| BK BLACK | BR BROWN | YE YELLOW |
| BL BLUE | GN GREEN | GY GREY |
| PR PURPLE | | |

| DIP Switch Description | |
|------------------------|---|
| S#1 Description | |
| 1# | Unit Category |
| 2# | Unit Category |
| 3# | Unit Category |
| 4# | Unit Category |
| OFF | Unit Category |
| OFF | Unit Category |
| OFF | Unit Category |
| OFF | Unit Category |
| S#2 Description | |
| 1# | ON: Ceiling diffusing type OFF: Ceiling only type |
| 2# | ON: With Non-volatile Memory OFF: Without Non-volatile Memory |
| 3# | ON: Power lamp sensor T1 for Room controller OFF: Room lamp sensor T1 for Electric control panel |

NOTE

- The units should use unswitched power switch, stated-cross-section wire and matching-spec. breaker.
- Use the fuse within the specified scope, it can not replaced by iron wire or brass wire.
- The units should install stated-cross-section earth wire and keep it grounding intelligently.
- Factory defaults connecting with the white linker, if you want to get lower-speed wind, please connect to the black linker.

| WIRE INFORMATION | | |
|------------------|-----------------------|------|
| _____ | FACTORY CONNECTION | |
| _____ | PROJECT CONNECTION | |
| _____ | PRACTICALITY EXTERIOR | |
| _____ | DASHED CIRCLE | |
| DATE | REVISED | N.O. |
| 2012-05-11 | RAM/PROF/SCHM/SUN-HA | 0 |

